

HYDRAULIC EXCAVATOR **SY75C**



SANY

SPECIFICATIONS

ENGINE	
Model	ISUZU CP-4LE2XA-S
Displacement (l)	2,2
Engine power at rated engine speed (kW/rpm)	43/2000
Max. Torque (N-M @ rpm)	215/1800

SERVICE REFILL CAPACITIES (L)	
Fuel tank (l)	150
Engine coolant (l)	12
Engine oil (l)	10
Swing drive	None
Final drive (each side)	2. liter 5
Hydraulic oil tank (l)	120 liter

HYDRAULIC SYSTEM	
Type	Load sensitive system
Number of selectable working modes	2
Main pump	
Type	Variable-capacity piston pumps
Maximum flow (l/min)	1x 24 gpm (90 lpm)
Hydraulic motors	
Travel	2*axial piston motor with parking brake
Swing	1*axial piston motor with swing holding brake
Relief valve setting	
Implement circuits (mpa)	280
Travel circuit (mpa)	260
Swing circuit (mpa)	210
Pilot circuit (mpa)	35
Hydraulic cylinders	
Boom cylinder diameter x stroke (mm)	110x885
Arm cylinder diameter x stroke (mm)	90x900
Bucket cylinder diameter x stroke (mm)	80x730
Blade cylinder diameter x stroke (mm)	130x145

OPERATING WEIGHT	
Operating weight with standard bucket, fully serviced, +75 kg operator (ISO)	
Operating weight (kg)	17280
Ground Pressure (kPa)	33

DRIVE	
Travel Speed (Low/High) (km/h)	2.4/4.4
Maximum Travel Force (kN)	56.8
Gradeability	35°

SWING	
Swing Speed (rpm)	10

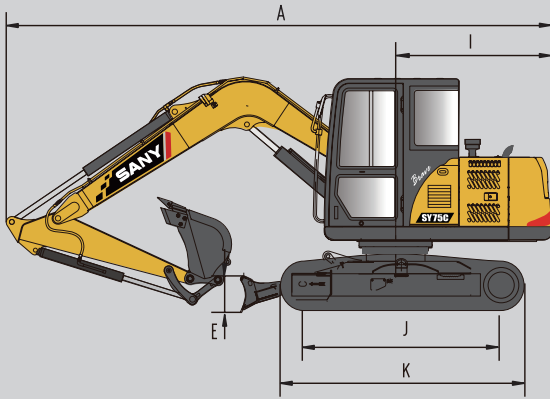
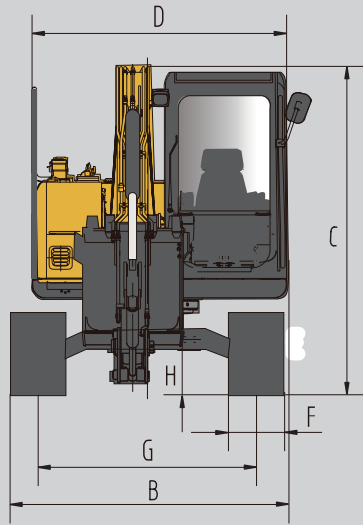
DIGGING FORCE	
Bucket Digging Force (kN)	51
Arm Digging Force (kN)	30



LIFTING CAPACITY

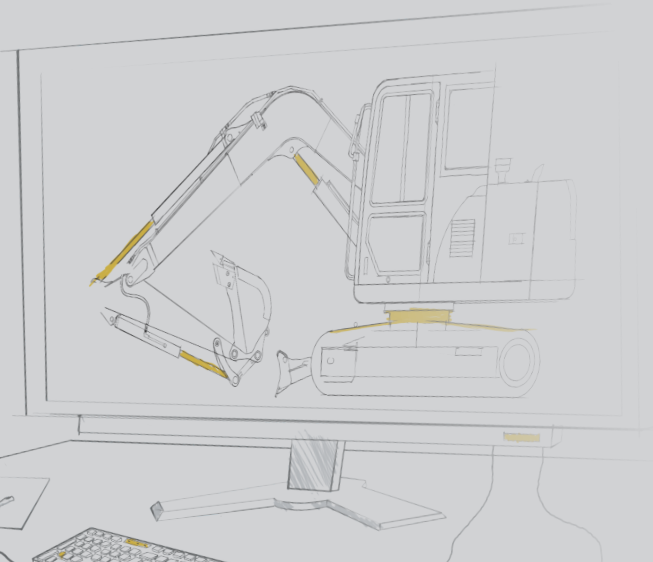
A	MAX											
	Maximum	2.0m		3.0m		4.0m		5.0m				
B												
5m (kg)	3812	1500	1500			1700	1700					
4m (kg)	4564	1350	1200			1850	1850	1800	1500			
3m (kg)	5008	1250	1050	3200	3200	2300	2200	1800	1450	1300	1050	
2m (kg)	5225	1150	950			2650	2100	1750	1400	1250	1000	
1m (kg)	5243	1150	900			2550	1950	1650	1400	1250	1000	
0m (kg)	5065	1200	950			2450	1900	1650	1300	1200	950	
-1m (kg)	4668	1300	1050	4350	3600	2450	1900	1600	1300			
-2m (kg)	3986	1650	1300	4450	3650	2450	1900					

DIMENSIONS

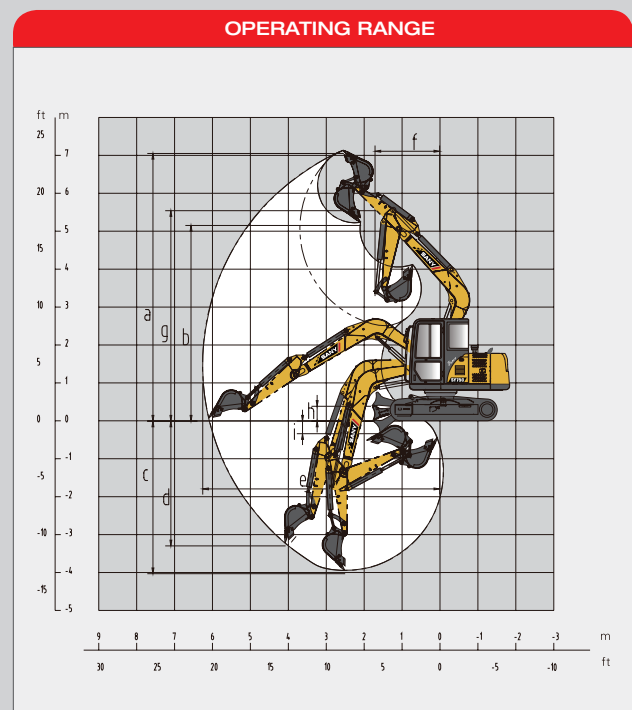


ITEM	mm
A Transport Length	6095
B Transport Width	2220
C Transport Height	2760
D Upperstructure Width	2040
E Blade Height	405
F Standard Track Shoe Width	450
G Track Gauge	1750
H Minimum Ground Clearance	380
I Tail Swing Radius	1800
J Center distance of tumblers	2195
K Overall length of crawler	2815
Counterweight Clearance	775
Boom Length	3720
Arm Length	2050

UNDERCARRIAGE	
Track shoe width (mm)	450
Number of track shoes (per side)	39
Carrier roller (per side)	1
Track roller (per side)	5



ITEM	mm
A Max. Digging Height	7390
B Max. Dumping Height	5490
C Max. Digging Depth	4450
D Max. Vertical Digging depth	3840
E Max. Digging Reach	6600
F Min. Swing Radius	1940
G Height at Min. Swing Radius	5500
H Max. Clearance when Blade up	390
I Max. Depth of Blade down	330



QUALITY CHANGES THE WORLD

ADDR SANY EUROPE GmbH
Sany Allee 1, D-50181 Bedburg
TEL 0049 2272 90531 100
FAX 0049 2272 90531 109
MAIL info@sanyeurope.com
NET www.sanyeurope.com

Not all products are available in all markets. Under our policy of continuous improvement, we reserve the right to change specifications and design without prior notice. The illustrations do not necessarily show the standard version of the machine.

SANY