

DIMENSIONS			
<b>A.</b>	Transport length, ft/in [mm]	23' 9" [7234]	
<b>B.</b>	Transport height, ft/in [mm]	12' 6" [3810]	
<b>C.</b>	Wheelbase, in [mm]		
	2WD	86 [2180]	
	4WD	86 [2180]	
<b>D.</b>	Height to top of cab, ft/in [mm]	9' 2" [2805]	
<b>E.</b>	Ground Clearance, in [mm]	12 [300]	
<b>F.</b>	Blade width, ft/in [mm]	7' 5" [2248]	
<b>G.</b>	Bucket Rollback		
	At ground level		43°
	Raised		55°
<b>H.</b>	Digging depth below grade, in [mm]		9" [234]
<b>I.</b>	Transport width, ft/in [mm]		7' 6" [2300]
	Overall width, ft/in [mm]		
	Ground pads		7' 7" [2318]
	Reversible pads		8' 2" [2484]
<b>J.</b>	Stabilizer spread, operating, ft/in [mm]		10' 7" [3226]
<b>K.</b>	Stabilizer spread, leveling angle		14°

LOADER DIMENSIONS		
		<b>1.1 cu yd Heavy-Duty General Purpose</b>
<b>L.</b>	Max operating height, ft/in [mm]	14' 5" [4400]
<b>M.</b>	Height to hinge pin, ft/in [mm]	11' 1" [3384]
<b>N.</b>	Dump height, ft/in [mm]	8' 8" [2653]
<b>O.</b>	Max dump angle	41°
<b>P.</b>	Reach @ 45 degree dump angle, ft/in [mm]	2' 7" [797]
	Max grading angle	116°

Unit equipped with 12-16.5 front tire, 19.5L-24 rear tire

LOADER PERFORMANCE	
	<b>1.1 cu yd Heavy-Duty General Purpose</b>
Linkage geometry	straight
Bucket breakout force, lbf [daN]	12,004 [6340]
Lift capacity to full height, lbs [kg]	7996 [3627]
SAE heaped capacity, cu yd [m³]	1.1 [.88]
SAE struck capacity, cu yd [m³]	.91 [.73]
Bucket weight, lbs [kg]	682 [309]
Cutting width, in [mm]	88 [2250]
Cycle	
Raise to full height	3.70 sec
Dump time	1.90 sec
Lower	2.70 sec

WEIGHT	
Base Unit (4WD, Cab)	17,560 lbs
With options added	
2WD	-386 lbs
Canopy	-397 lbs
4x1	+969 lbs
6x1	+1408 lbs
Std. (counterweight)	-700 lbs
Med. (counterweight)	-170 lbs

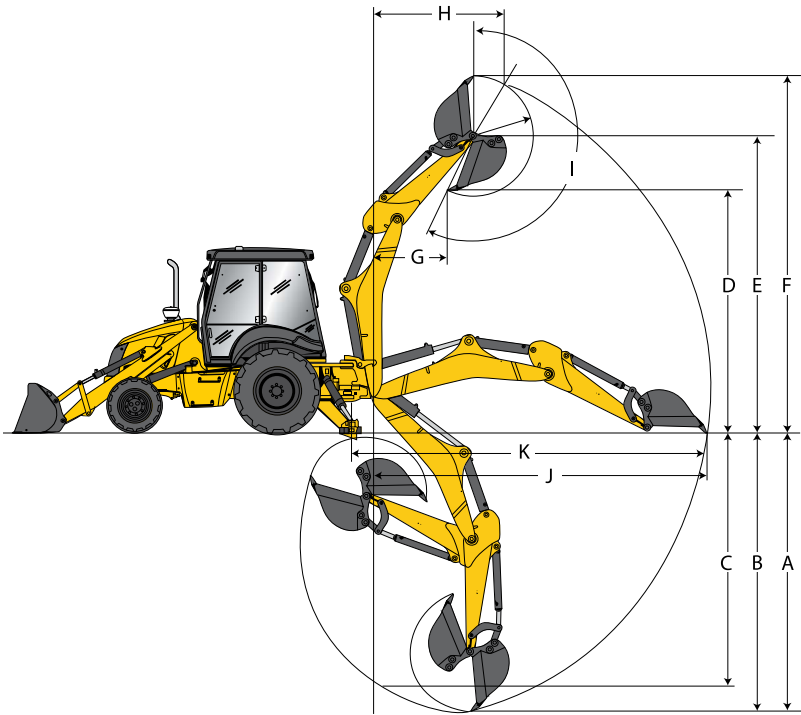
TRANSMISSION		
	<b>Power Shuttle</b>	<b>Powershift</b>
Manufacturer	Carraro	Carraro
Transmission type	Synchromesh	Hydraulic clutch packs
Gear	4F/4R	4F/3R
Max Fwd travel speed, mph [kph]	22.5 [36.2]	22.1 [35.5]

Note: Travel Speeds with 19.5L-24 Rear Tires

ENGINE	
Make and model	F5BFL413B*B
Type	Tier 4 Final certified, Diesel Oxidation Catalyst with Urea Dosing Module and Selective Catalytic Reduction, HPCR, 4-cycle diesel
Aspiration	Turbocharged Aftercooled
Rated RPM	2200
Number of cylinders	4
Displacement, cu in [l]	207 [3.4]
Horsepower, gross, hp [kW]	97 [72]
Horsepower, net hp [kW]	95 [71]
Peak torque, lb-ft [Nm] @ RPM	338 [452] @ 1400

MANEUVERABILITY		
	<b>Less Brakes</b>	<b>With Split Brakes</b>
2WD curb clearance	13' 6"	12' 7"
4WD curb clearance	15' 9"	11' 5"
2WD bucket clearance	17' 9"	16' 8"
4WD bucket clearance	19' 5"	16' 6"

\*4WD, CAB, HED, Heavy Duty Counterweight, STD Bucket



#### BACKHOE DIMENSIONS

		Standard	Retracted	Extended
<b>A</b>	Max dig depth, ft/in (mm)	14' 5" [4385]	15' 8" [4595]	18' 6" [5627]
<b>B</b>	Dig depth, 2' level bottom, ft/in (mm)	14' 3" [4344]	14' 11" [4547]	18' 4" [5578]
<b>C</b>	Dig depth, 8' level bottom, ft/in (mm)	13' 1" [3988]	13' 9" [4191]	17' 5" [5298]
<b>D</b>	Loading Height, ft/in (mm)	11' 9" [3570]	12' 1" [3681]	14' 2" [4324]
<b>E</b>	Max pin height, ft/in (mm)	14' 9" [4503]	15' 2" [4611]	17' 3" [5254]
<b>F</b>	Max operating height, ft/in (mm)	17' 5" [5318]	17' 9" [5411]	19' 10" [6055]
<b>G</b>	Loading Reach @ max height, ft/in (mm)	6' 9" [2053]	4' 10" [2133]	7' 0" [2978]
<b>H</b>	Dig reach @ max height, ft/in (mm)	8' 5" [2562]	8' 11" [2706]	11' 8" [3550]
<b>I</b>	Bucket rotation (max)	200°	200°	200°
<b>J</b>	Reach from swing post, ft/in (mm)	17' 0" [5186]	17' 6" [5327]	20' 7" [6279]
<b>K</b>	Reach (overall), ft/in (mm)	18' 5" [5612]	17' 7" [5355]	20' 8" [6286]

#### BACKHOE PERFORMANCE

	Standard	Retracted	Extended
Bucket capacity, cu ft (m <sup>3</sup> )	7.5 (.21)	7.5 (.21)	7.5 (.21)
Bucket digging force, lbs (kg)	12,933 (5866)	12,933 (5866)	12,933 (5866)
Crowd digging force, lbs (kg)	8588 (3895)	8100 (3674)	5782 (2623)
Boom lift @ -8 ft, lbs (kg)	3234 (1467)	2738 (1242)	2332 (1058)
Dipper lift @ +10 ft, lbs (kg)	5342 (2423)	5831 (2645)	3885 (1762)

#### HYDRAULIC SYSTEM

Pilot Control Pump	Variable displacement
System type	Open center
Main pump type	Dual gear
Pump capacity gpm (lpm)	40 (151)
System relief pressure	3045 psi

#### ELECTRICAL

Alternator output	160 amps
Battery capacity (std/opt)	1200/900 CCA

#### REFILL CAPACITIES

Fuel tank, gal (l)	34.6 (131)
DEF system, gal (l)	3.5 (13.2)
Cooling system, gal (l)	6.3 (23.8)
Engine oil, includes filter, gal (l)	2.1 (8.0)
Hydraulic tank, gal (l)	13.4 (50.7)
Hydraulic system, gal (l)	37 (142)

#### CYLINDER SPECS

Loader cylinder	3.54" bore x 28.62" stroke
Backhoe	
Boom cylinder	5" bore x 35.71" stroke
Arm cylinder	4.75" bore x 27.64" stroke
Bucket cylinder	3.5" bore x 30.16" stroke
Swing cylinder	4.33" bore x 9.38" stroke

#### SERVICE INTERVALS

Engine oil	500 hours
Hydraulic oil filter	1000 hours
Engine coolant	2000 hours
Rear axle oil	1000 hours